

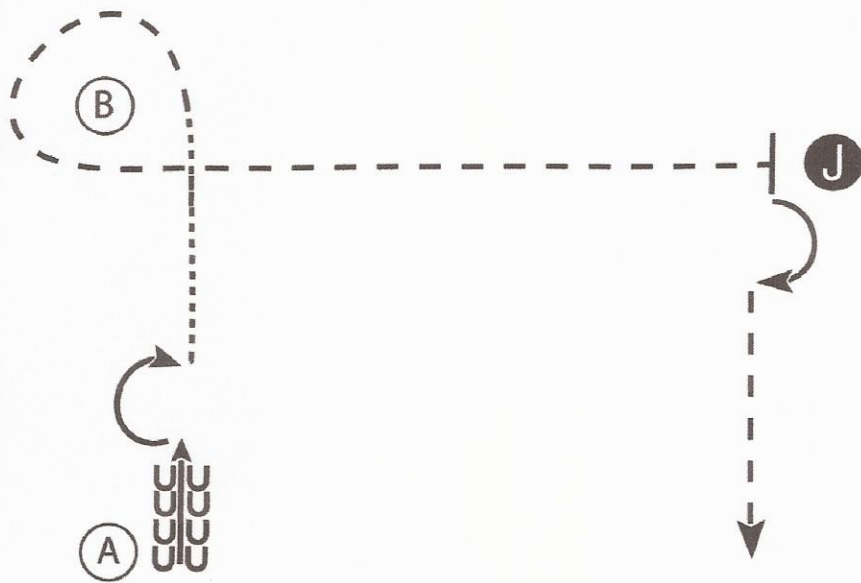
# Summer Sizzler - Montgomery, AL

## Showmanship (Amateur & Select)

Show Date: 05/25/2014

www.horsethows.com

www.horsethows.com



1. At A back 4 steps
2. Perform a 180 degree turn
3. Walk to B
4. At B trot around B and to the judge, set up for inspection
5. When dismissed perform a 90 degree turn and trot straight away from the judge

Walk - - - - -

Trot - - - - -

Back ←

Marker (B)

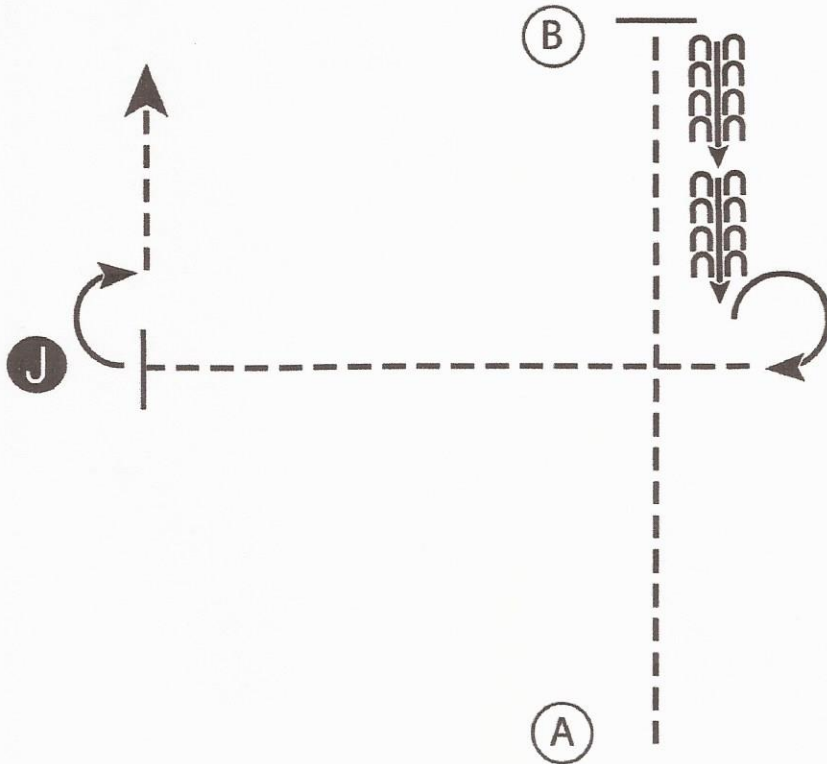
Judge (J)

Pattern Provided by:

[S/2-1]

# Summer Sizzler - Montgomery, AL Showmanship (Youth 13&U and 14-18)

Show Date: 05/25/2014



1. Trot A to B
2. Stop at B and back halfway to A
3. Stop and perform a 270 degree turn
4. Trot to judge and set up for inspection
5. When dismissed perform a 90 degree turn and trot away from judge

Walk .....  
 Trot - - - - -  
 Back ← CCCC  
 Marker (B)  
 Judge (J)

www.horsethows.com

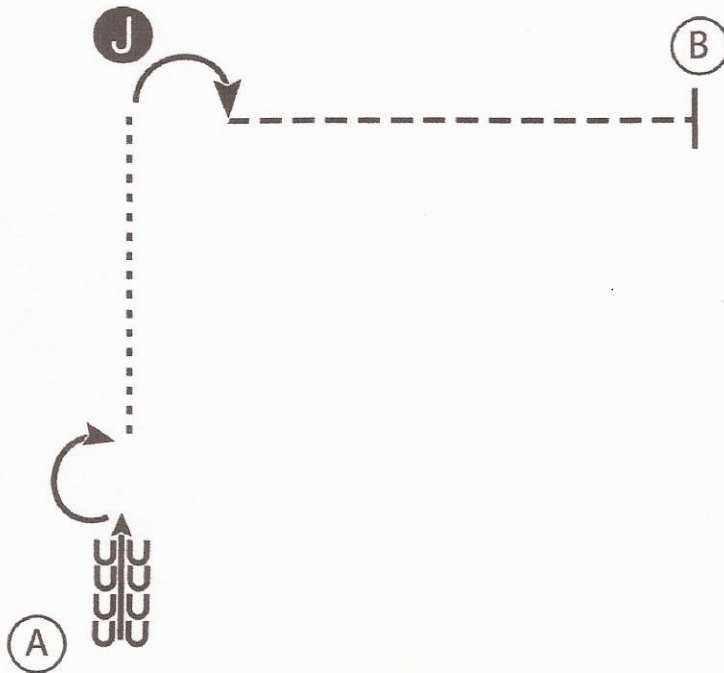
www.horsethows.com

Summer Sizzler - Montgomery,  
AL  
Showmanship (Novice Youth & Novice Amateur)

Show Date: 05/25/2014

www.HorseShowPatterns.com

www.HorseShowPatterns.com



1. Back 4 steps at A
2. Perform a 180 degree turn
3. Walk to the judge and set up for inspection
4. When dismissed perform a 90 degree turn and trot to B
5. Stop at B

Walk - - - - -

Trot - - - - -

Back ← C C C C C

Marker (B)

Judge (J)

[S/1-2]

Pattern Provided by:

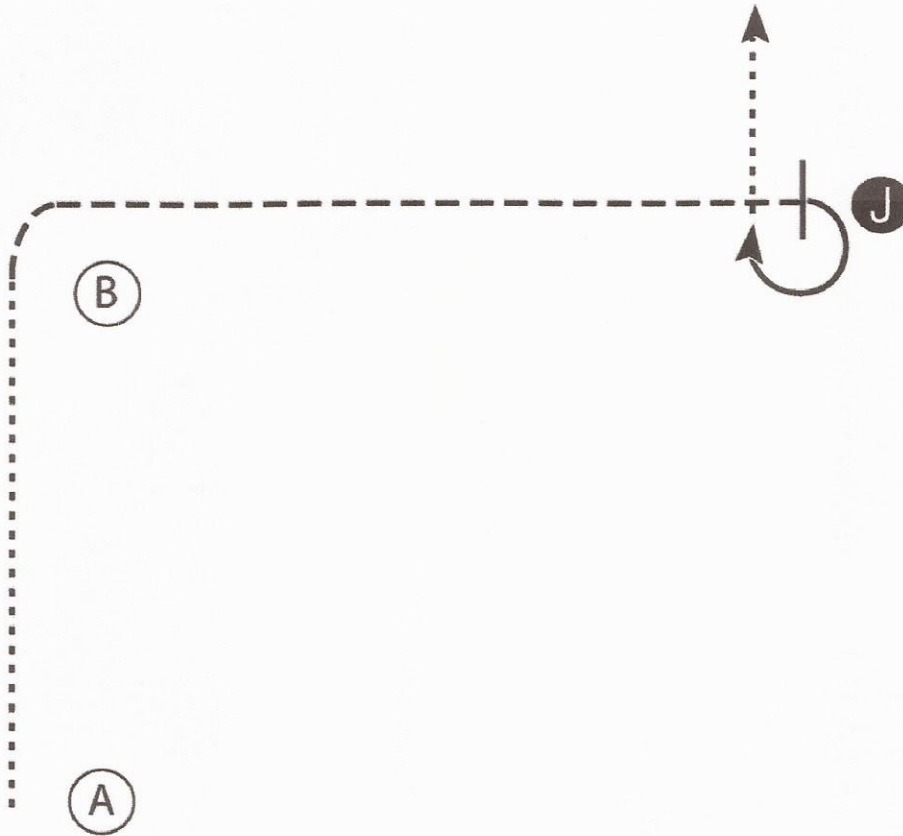
# Summer Sizzler - Montgomery, AL

## Showmanship (Small Fry 10&U)

Show Date: 05/25/2014

www.HorseShowPatterns.com

www.HorseShowPatterns.com



Walk - - - - -

Trot - - - - -

Back ←

Marker (B)

Judge (J)

1. Walk from A to B.
2. Trot from B to the Judge.
3. Stop and set up for inspection.
4. When dismissed perform a 270 degree turn and walk straight away from the Judge.

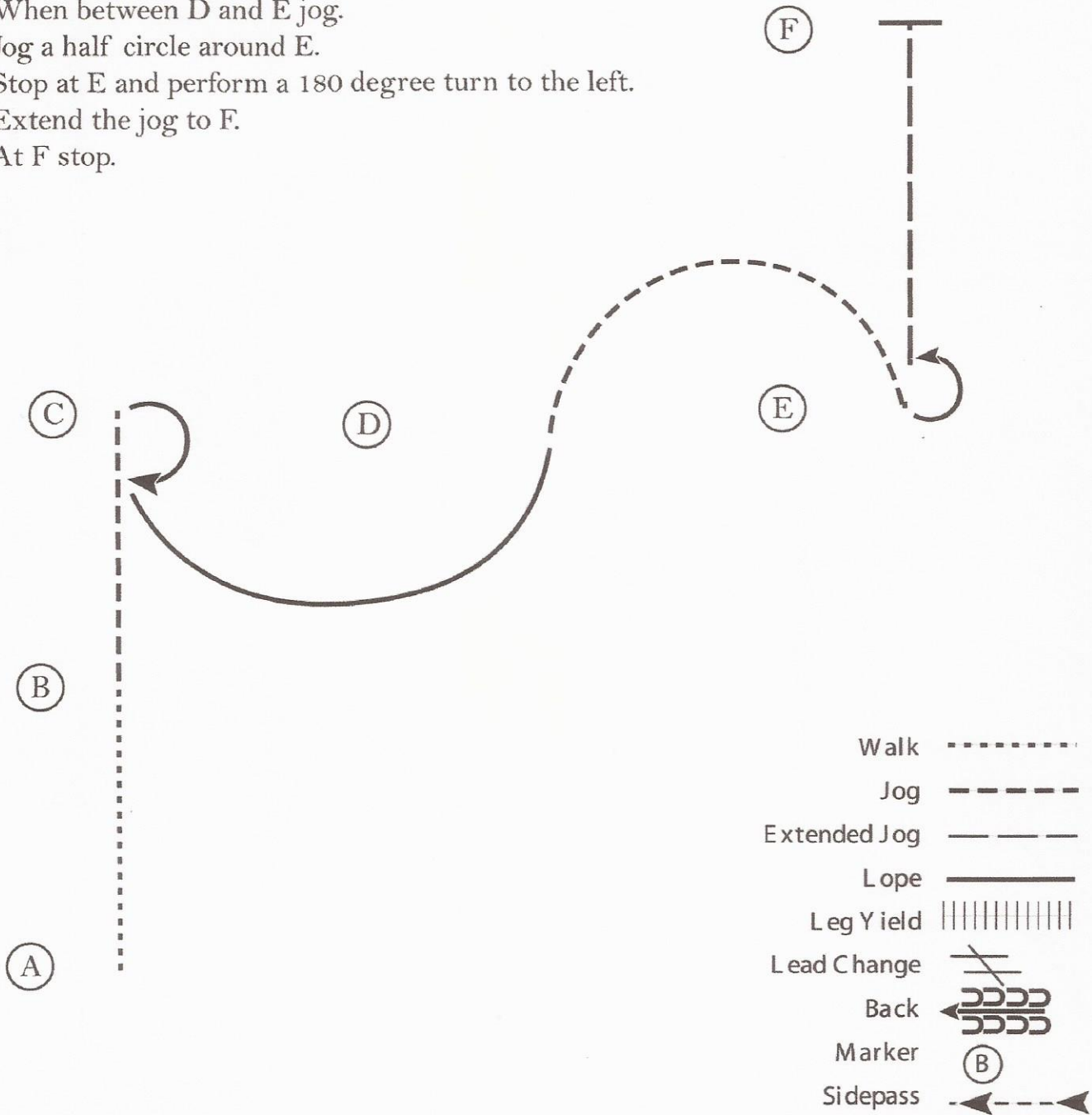
[SWT-2]

Pattern Provided by:

# Summer Sizzler - Montgomery, AL Horsemanship (Amateur & Select)

Show Date: 05/25/2014

1. Walk A to B.
2. At B jog to C.
3. At C perform a 180 degree turn to the right.
4. Lope a half circle around D on the left lead.
5. When between D and E jog.
6. Jog a half circle around E.
7. Stop at E and perform a 180 degree turn to the left.
8. Extend the jog to F.
9. At F stop.



www.HorseShowPatterns.com

www.HorseShowPatterns.com

[WH/2-5]

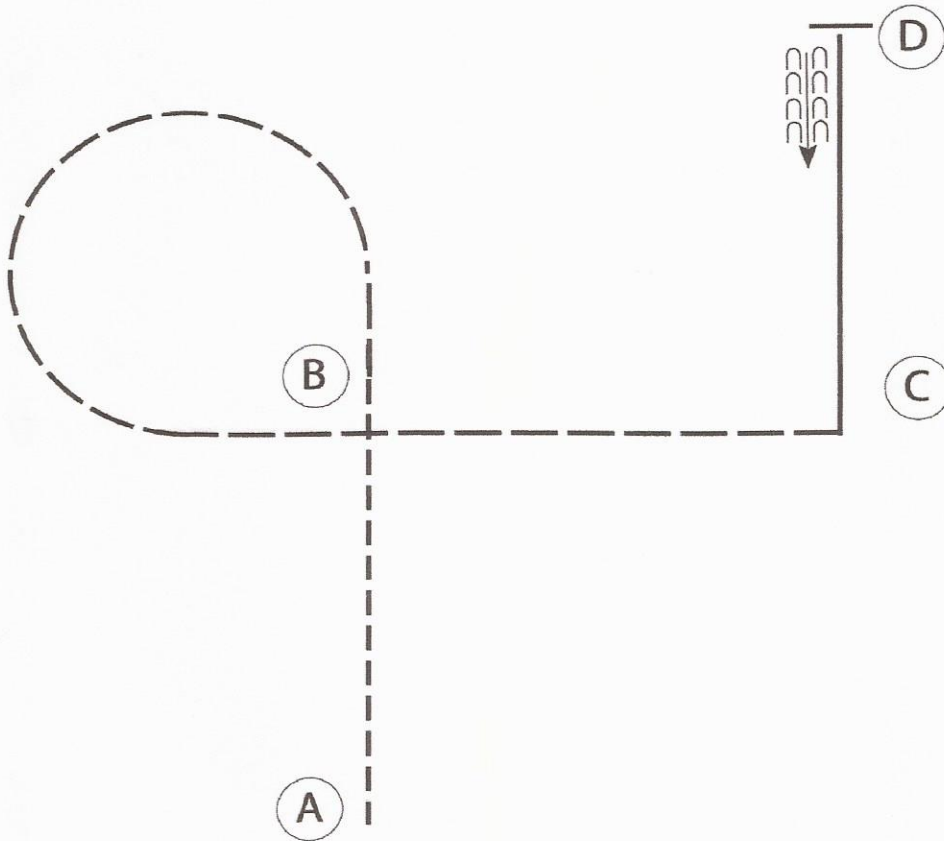
Pattern Provided by:

# Summer Sizzler - Montgomery, AL Horsemanship (Youth 13&U and 14-18)

Show Date: 05/25/2014

www.HorseShowPatterns.com

www.HorseShowPatterns.com



Be ready at A.

1. Jog to B.
2. At B, extend the jog in a circle around B.
3. Continue the extended jog toward C.
4. Turn a corner at C and lope on the left lead to D.
5. At D, stop and back approximately one horse length.

Follow the instructions of your ring steward.

Walk	-----
Jog	-----
Extended Jog	-----
Lope	—————
Leg Yield	
Lead Change	—/—
Back	← — — — — — — — —
Marker	(B)
Sidepass	← — — — — →

[WH/2-9]

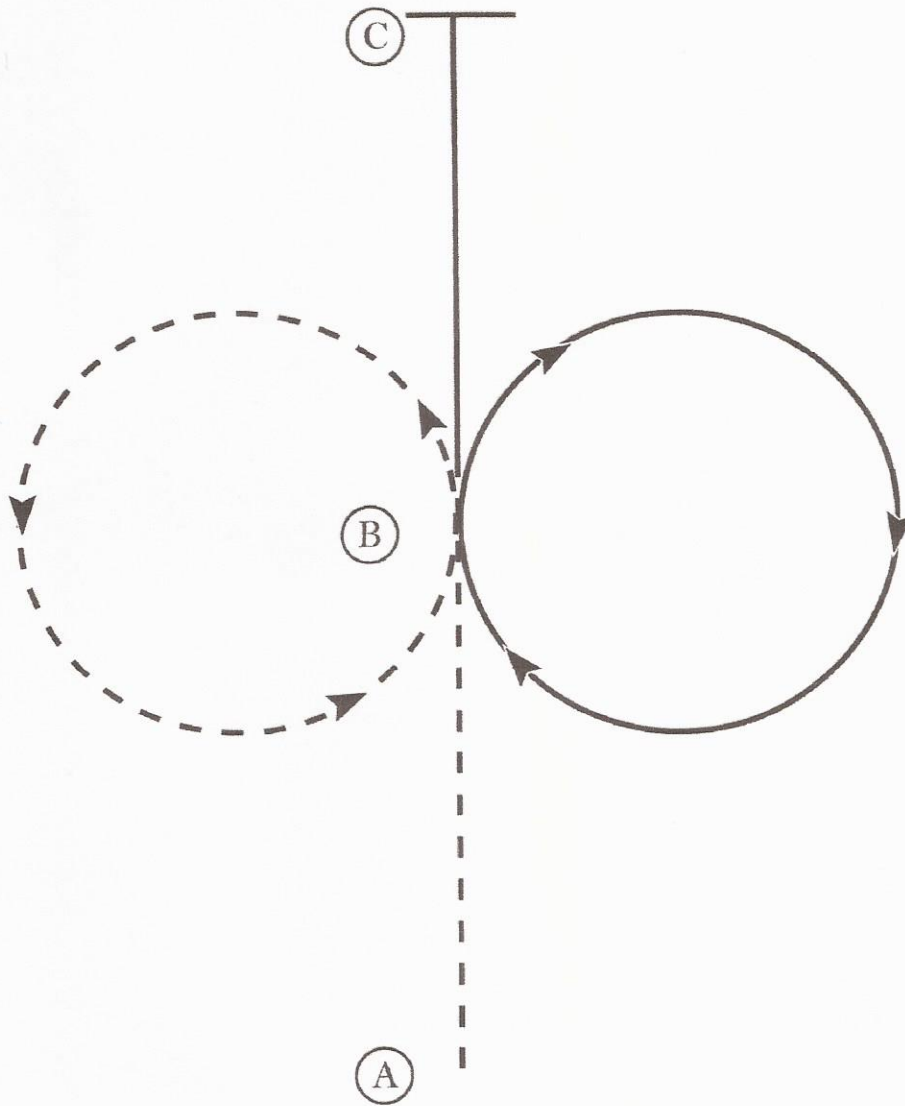
Pattern Provided by:

# Summer Sizzler - Montgomery, AL

## Horsemanship (Novice Youth & Novice Amateur)

Show Date: 05/25/2014

1. Jog A to B
2. At B jog a circle to the left
3. At B lope a circle to the right on the right lead
4. Continue the lope to C
5. At C stop



Walk	.....
Jog	-----
Extended Jog	-----
Lope	—————
Leg Yield	
Lead Change	↘
Back	←←←←←
Marker	(B)
Sidepass	←←←←←

W W W . H o r s e S h o w P a t t e r n s . c o m

W W W . H o r s e S h o w P a t t e r n s . c o m

[WH/1-9]

Pattern Provided by:

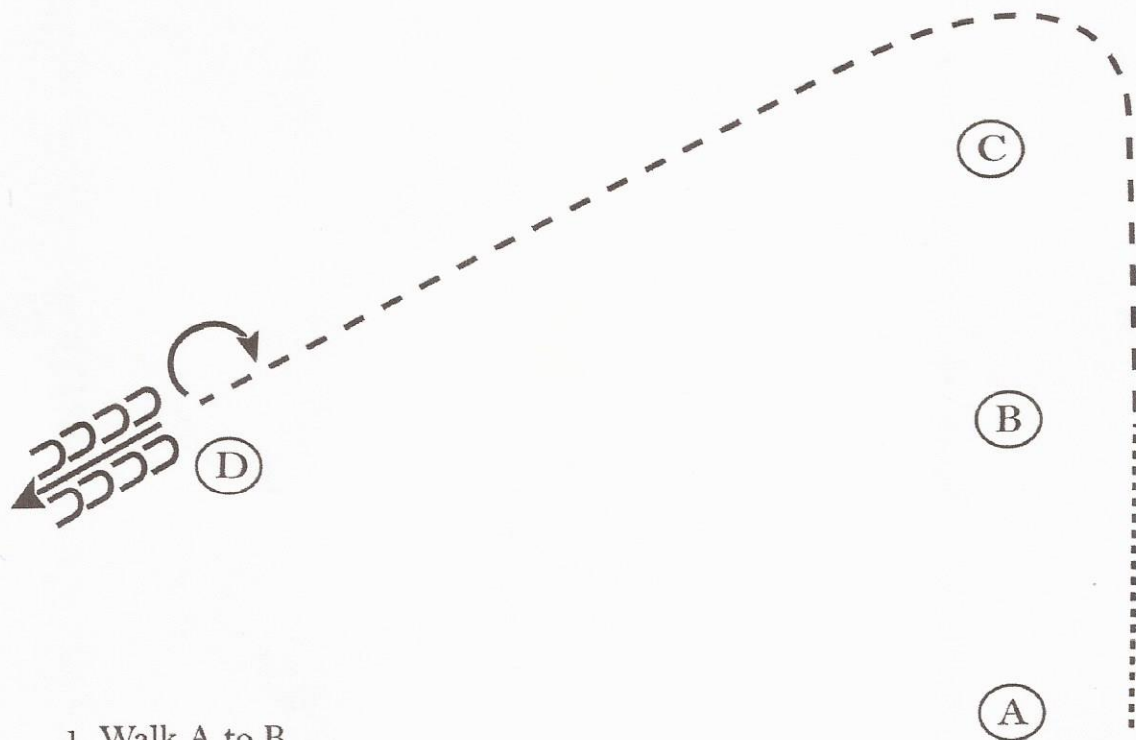
# Summer Sizzler - Montgomery, AL

## Horsemanship (Small Fry 10&U)

Show Date: 05/25/2014

www.HorseShowPatterns.com

www.HorseShowPatterns.com



1. Walk A to B.
2. At B jog around C to D.
3. At D perform a 180 degree turn to the right.
4. Back 4 steps.

Walk	.....
Jog	-----
Extended Jog	-----
Lope	—————
Leg Yield	
Lead Change	—/—
Back	←←←←
Marker	(B)
Sidepass	←←←←

[WH/WT-10]

Pattern Provided by: